



THE TOWER

First Presbyterian Church

37 Church Mall

Springfield, NJ 07081

www.springfieldpresbyterian.org

VOL. 72 NO. 09

MAY 2020



Easter Lily Memorial Dedications

Robert and Joan Stefany – Loved Ones

Mrs. Elizabeth Schmidt- Mr. William R. Schmidt

Hamilton and Louise Scott -
Ruth C. Scott; Henry Stiglitz; Gertrude Stieglitz

Peggy Paglia – Danny Paglia; Charles and Ruby Ball; Wilbur
and Ruby Selander; Charles and Mae Ball; Wilbur (Duke)
Selander

Debra and Gary Kensicki and Family –
Carmine and Alice Cataldo

Gladys Gieser –husband , Herbert Gieser; daughter, Susan
Gieser; grandson, Eric Cunningham.

*We thank these members and friends for the lilies that
cheerfully decorated the sanctuary for Easter.*



May 2 Anthony Farrand	May 18 Jake Jones
May 3 Ashley Wahlers	May 21 Steve Wichik
May 8 Wilma Brenn (101 st)	May 22 Mary Pat Deane
May 10 Loretta Werner	May 25 Liliya Khobotkova
May 13 Amy Smith	May 27 Nylah-Rose Sarno
May 14 Emilia Bliss	May 29 Linda Donnelly
May 16 Nancy Hennessey	

WE ARE HAPPY TO CELEBRATE THE BIRTHDAYS OF ALL OUR CHURCH FAMILY! IF YOUR BIRTHDAY IS NOT INCLUDED IN OUR BIRTHDAY ANNOUNCEMENTS, PLEASE CALL THE OFFICE AND PROVIDE MONTH AND DAY, AND WE'LL ADD YOU TO OUR LIST!



*The sympathy of the Congregation is extended to the family and friends of **Ernestine Gierman**, who, we just learned, passed away on February 22, 2020, just two months shy of her 107th birthday. Ernestine regularly attended our church for many years, and officially transferred her membership from the Springfield United Methodist Church in 2011. She had a very special friendship with Mary Pat Deane and Don Auer, who, for many years, ran errands with and for her, as she was homebound. She was a member of the Presbyterian Women's group until she moved from Springfield to Pennsylvania to be closer to her daughter Marilyn Smith.*



Ernestine really flourished in her new surroundings, making her rounds to see residents and staff each day while insisting on self-propelling her wheelchair! She had only one month of decline before she passed away, and all her extended family was able to visit with her.

Notes of sympathy may be sent to Marilyn Smith, 1452 Overhill Rd., West Chester, PA 19382

SCHOLARSHIP APPLICATIONS DUE



All active members who are college-bound or returning students wishing to apply for a part-time or full-time scholarship should contact Kristin Reubling-Jass at (302)598-7188. Please submit your application before 5/22/20.

UPCOMING GRADUATION CELEBRATIONS

While we know graduations may be very different this year due to the pandemic, we'd like to celebrate all our graduates (Kindergarten, middle school, high school, college) in our June edition of the Tower Newsletter. If you have a graduate in your household, please send us a picture, name of school, and degree, if appropriate. We need to share GOOD NEWS!

Faith Matters

“For where your treasure is, there your heart will be also.” (Luke 12:34 & Matthew 6:21)

My Good Friends,

As I write this letter, the COVID19 pandemic continues to plague our nation and much of the world. It would be easy to allow ourselves to become overwhelmed by anxiety as we deal with isolation at home, long lines at the supermarket and post office, fewer opportunities for engaging friends and family, and a bathroom scale that is, perhaps, too honest about all the snacking going on.

It's a tough time. And yet, we are blessed with so many gifts to treasure. One way we find strength as we face this health crisis is to recognize, lift up and share aloud the treasures we hold dear. In doing so, we open ourselves up to the power of the Spirit to bring wholeness to those places we feel broken and peace to those places where we feel cut off and lonesome. So, let me begin.

I want to thank every member and friend of our congregation who is taking advantage of our online worship services. One way to combat isolation is to stay connected to God and with those whom we share a common faith. While it is strange, I'm sure, to sit at home in front of a television or computer screen to participate in worship, it is deeply meaningful to know that we are doing so together, before God, with prayerful hearts that keep alive those ties that bind.

I want to thank the Trustees and Session for their support in making online worship a possibility and keeping the church solvent and spiritually engaged during our current closure.

I want to thank the church staff for doing all in their power to keep the church functioning well and future-focused at a time when it would be easy to feel stuck in place. The Lord expects so much more from us than static ministry, and the Spirit provides us the energy and resources we need to stay the course and prepare for the time when we shall gather face-to-face again.

I want to thank those who have contributed homemade facemasks to our mission project this month. I delivered some to our local First Aid Squad and some to Overlook Hospital, at their request. I know they were grateful for our support.

I want to thank our prayer partners for remembering the church and one another in prayer each day, especially praying for those who have suffered health setbacks in recent weeks. I encourage you to keep those prayers alive, remembering to include our civic leaders who are fulfilling their call to serve.

I want to thank those of our congregation who are on the frontlines, fighting this pandemic and keeping us safe—the doctors, nurses, technicians, EMTs, grocery store clerks, restaurant workers and others who work every day to provide for our needs, despite the risk to themselves and their families.

And I want to thank you for keeping your financial commitments to God and the church up-to-date. If you would prefer to give electronically rather than mailing in your gifts, Steve Kitsko and I would be happy to help you set up a process for doing so.

We are blessed with so much. And when we are grateful for those blessings, we find ourselves both spiritually and emotionally strengthened. “For where your treasure is, there your heart will be also.” Thank you all for sharing the treasure of your life and faith. And thanks be to God for the greatest treasure we share together: the love, grace and mercy of our Lord Jesus Christ. With thanksgiving,

Pastor Rhonda

CONTACTING THE OFFICE AND PASTOR

During the NJ state of emergency, the front office is closed. However, staff members do monitor incoming mail, phone calls and e-mails. If you have a non-emergent matter to discuss with the Office Administrator or Treasurer, please contact them via e-mail when possible (firstpcoffice@verizon.net). If you wish to leave a telephone message, call 973-379-4320 then select the appropriate option and leave your message.

For all emergency and/or Pastoral matters, please contact Pastor Rhonda directly.

Pastor Rhonda can be reached at her personal email address: revrhon@aol.com. She can also be reached (by voice or by text) on her cell phone at: 973-255-0846.

ONLINE WORSHIP

It's hard to say what the next few months will bring regarding the return to social gathering. Until it is safe to do otherwise, we will continue to worship online. We have made the changeover from Zoom to YouTube as of April 26, 2020. If you are viewing this newsletter on a computer or smartphone, the link here should bring you to our [YouTube](#) site. From there you can choose to watch a recording. Once on this site, we ask that you click on the "subscribe" option so that you will get notifications when we are streaming live.



CONFIRMATION POSTPONED

Due to the Stay-at-Home orders, we had to suspend Confirmation Classes in March. As a result, the service of Confirmation will not be held this Spring. We will reschedule it for later this year, once social gathering is safe again.

FRIENDSHIP DAY – May 1st

Friendship Day is celebrated on May 1st. Please consider reaching out to one of our shut-ins or our single members who may be feeling a bit lonely as a result of the pandemic causing limitations on their connections with others. Make a call. Send a card. Bring a greeting of Christian love and make a difference in the life of another Presbyterian!



MOTHER'S DAY – May 10th

We wish a blessed Mother's Day to all the mothers, grandmothers, and other women who dedicate themselves to nurturing the next generations of children. May you share in a beautiful holiday, even if your time with family is largely virtual!

PRESBYTERIAN HERITAGE SUNDAY- May 17th

Heritage Sunday is an annual day of celebration set aside by the General Assembly of the Presbyterian Church (U.S.A.). First celebrated in 1970, May 17th, 2020 marks the 50th anniversary of this special day set aside to recognize the contributions of the church and its members to a meaningful society. One of the many Presbyterians that have made a significant impact on our nationwide community is the Rev. Fred McFeely Rogers, more familiarly known as Mr. Rogers. While a college senior in Florida, Fred became appalled by what was being labeled as ‘children’s programs’—such as pies in the face and slapstick. That’s when he decided to go into television because he believed that children deserved better. As a music composition major, he was hired by Pittsburgh’s WQED in 1953 to co-produce The Children’s Corner. Working behind the scenes as organist and puppeteer, he recorded episodes that emphasized creativity and self-esteem. During that time, he attended Pittsburgh Theological Seminary, where he took classes—often on his lunch hour!—that prepared him for a vocation in ministry, as well as graduate courses in child development. In 1962, he was ordained by Pittsburgh Presbytery with a charge to work with children and families through the media. Mister Rogers’ Neighborhood, with the Reverend Fred Rogers appearing on camera sporting his iconic sweater and sneakers, began broadcasting on public television in February 1968. Fred Rogers never served in a traditional role of pastor but, through the media of television, he was able to bring his simple message of affirmation and acceptance to a ‘congregation’ of millions. To celebrate his ministry and the ministry of the P.C.(U.S.A.), consider watching one of two recent movies that tell his story: 2018’s “Mister Rogers: It’s You I Like” or 2019’s “A Beautiful Day in the Neighborhood,” starring Tom Hanks. Either will give you a sweet taste of our shared faith in Christ and our theology as Presbyterians who support the vital work of the church in society.

GOOD NEWS TO SHARE!



Lisa Lau is happy to announce that she has a new grandson! Spencer Elliot Gutin arrived March 23rd to his parents, Jessica Lau and Daniel Gutin and big brother, Lucas.

Best wishes to all, and thanks for the Good News!

A GENTLE REMINDER ABOUT PLEDGES

You are requested and encouraged to mail in your contributions and pledges to First Presbyterian Church of Springfield c/o 37 Church Mall, Springfield, NJ 07081. Mail is collected each day and donations are deposited weekly by our staff. Another option is to make your payment through your bank with online bill pay. This is a free service by most banks, and provides for one-time or scheduled regular payments. If our banks do not participate in electronic funds transfers, your bank will send a paper check and you save the postage!

We thank you all for your support both financially and prayerfully, while we worship together, yet apart.

MEMORIAL DAY – May 25th

On Monday, May 25th, we remember our fallen heroes. Let us give thanks for all veterans, every day.

With Social Distancing being in order, there most likely will not be a town parade. However, our appreciation for all veterans, who protected us and fought for our freedom can be honored in each home by displaying an American flag.



THE AMERICAN'S CREED by William Tyler Page

I believe in the United States of America as a government of the people, by the people, for the people; whose just powers are derived from the consent of the governed, a democracy in a republic, a sovereign Nation of many sovereign States; a perfect union, one and inseparable; established upon those principles of freedom, equality, justice, and humanity for which American patriots sacrificed their lives and fortunes.

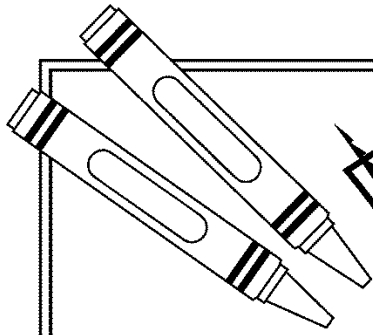
I therefore believe it is my duty to my country to love it, to support its Constitution, to obey its laws, to respect its flag, and to defend it against all enemies.

—Written 1917, accepted by the United States House of Representatives on April 3, 1918.

PENTECOST SUNDAY- May 31st

The very first Pentecost was the day on which the Holy Spirit came upon the early believers in Jesus Christ to form the church. It falls on May 31st this year. Whether we are worshipping back in our sanctuary by that date or not, may we celebrate the treasure that is the body of Christ and wish each other a Happy Birthday!





PUZZLE

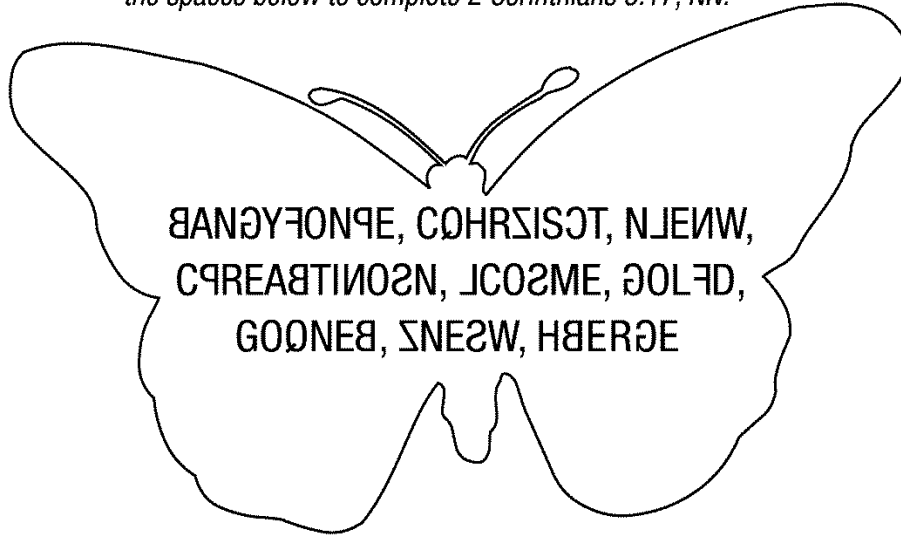
Transformation **POWER**



Just as the caterpillar becomes a butterfly,
God transforms us from old to new.



Directions: Cross out the backward letters. Write the remaining letters in order in the spaces below to complete 2 Corinthians 5:17, NIV.



Therefore, if _____ is in _____,
the _____ has _____:

The _____ has _____,
the _____ is _____!

2 CORINTHIANS 5:17, NIV

Answer: anyone, Christ, new, creation, come, old, gone, new, here

THE FIRST CONGREGATION OF THE
PRESBYTERIAN CHURCH AT SPRINGFIELD
37 CHURCH MALL
SPRINGFIELD, NJ 07081



Return Service Requested

PLACE ADDRESS
LABEL HERE

